

ANTI-SEIZE COTTER PIN™ Installation & Removal Instructions

SINGLE CLEVIS PIN APPLICATION (PN# ASCP1)

STEP-1: Prepare for installation

Prior to installation first make sure the clevis pin is unseized. The clevis pin needs to rotate so that the cotter pin can be installed.

TOP OF SLACK ADJUSTER

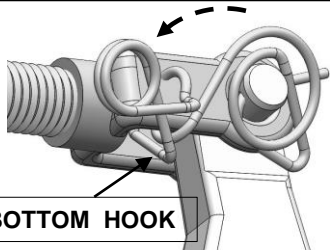
The anti-seize cotter pin kit comes with opposite side cotter pins that can be installed on either side depending on the direction of the slack adjuster (up or down) and the clevis pin hole orientation (left or right).

The top hook must always be oriented to the top of the slack adjuster.

TOP HOOK POINTS UP

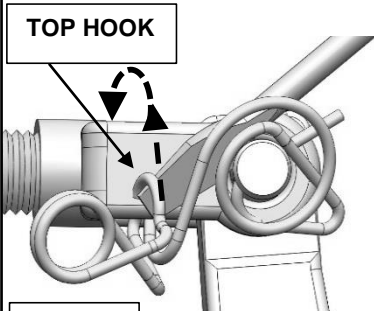
Caution: Do not deform the cotter pin by over forcing it on installation or removal as this may damage the cotter pin and affect its performance, requiring replacement.

STEP-3: Lock cotter pin in place with top and bottom locking hooks



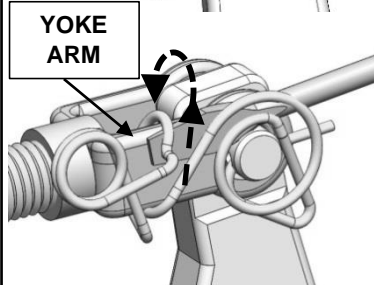
BOTTOM HOOK

Rotate the pin forward towards the front of the yoke such that the bottom hook is positioned underneath the yoke arm.



TOP HOOK

While holding the bottom hook in place, insert a flat screwdriver underneath the top hook between the cotter pin and yoke, using the clevis pin for leverage.

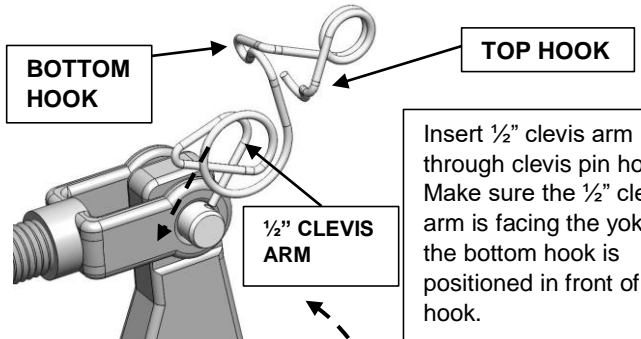


YOKE ARM

Pull up on the top hook moving it over the top of the yoke arm.

The cotter pin is now locked in place.

STEP-2: Insert cotter pin arm and position locking hooks

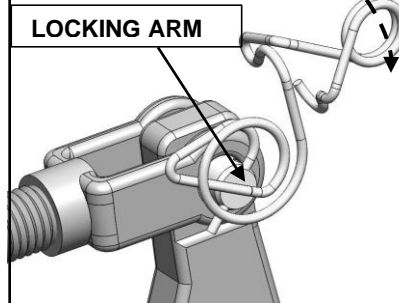


BOTTOM HOOK

TOP HOOK

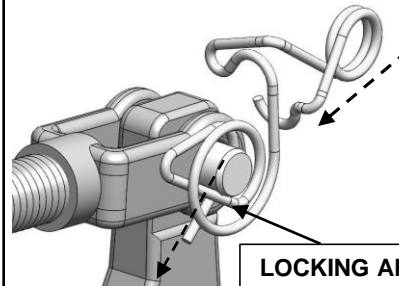
1/2" CLEVIS ARM

Insert 1/2" clevis arm through clevis pin hole. Make sure the 1/2" clevis arm is facing the yoke and the bottom hook is positioned in front of top hook.



LOCKING ARM

Twist the top hook and at the same time push forward to move the locking arm over the face of the clevis pin.

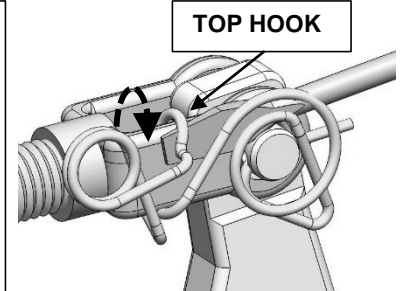


LOCKING ARM

Push forward until the locking arm is past the opposite side of the clevis pin and an **audible click is heard** indicating the locking arm is locked in position.

STEP-4: Removal Instructions

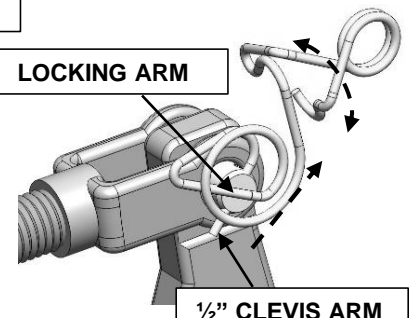
Using a flat screwdriver, lift the top hook and move it off the yoke arm, allowing the bottom hook to disengage. Rotate the cotter pin upward to the right towards the back edge of the slack adjuster.



TOP HOOK

Twist the top hook and at the same time pull backwards to move the locking arm over the face of the clevis pin. Pull the 1/2" clevis arm out of the clevis hole, removing the cotter pin.

LOCKING ARM



1/2" CLEVIS ARM